


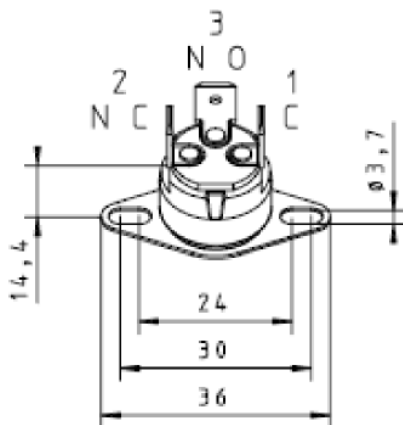
## Thermal switch CW302 with change-over contact (SPDT)

	<b>Parameters</b>	
	<ul style="list-style-type: none"> <li>- Nominal voltage: 250VAC</li> <li>- Nominal current: 10 (1,5)A</li> <li>- Switching cycles: 50,000 cycles</li> <li>- Switching temperature range: up to 200 °C</li> </ul>	

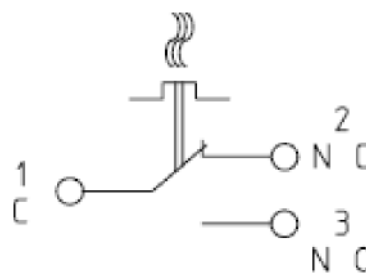
This new developed thermostat with a change-over contact (Single Pole Double Through) is working in accordance to the bimetal disc principle. A typical application for the use of this thermostat is e.g. is the temperature-dependent frequency change-over for fans and air circulation ovens.

The change-over contact is located in a ceramic housing and designed for an application with a working temperature range of up to max. 200 °C. Connection technique and fastening technology correspond to the standard assortment ceramic switch.

**Drawing**



**Function**



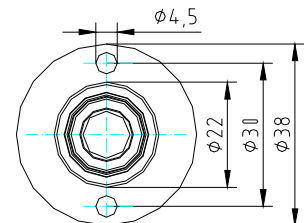
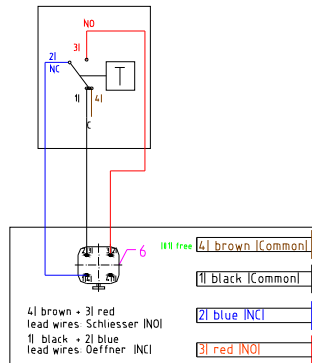
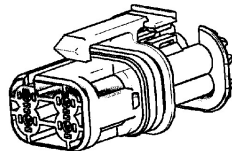
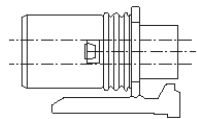
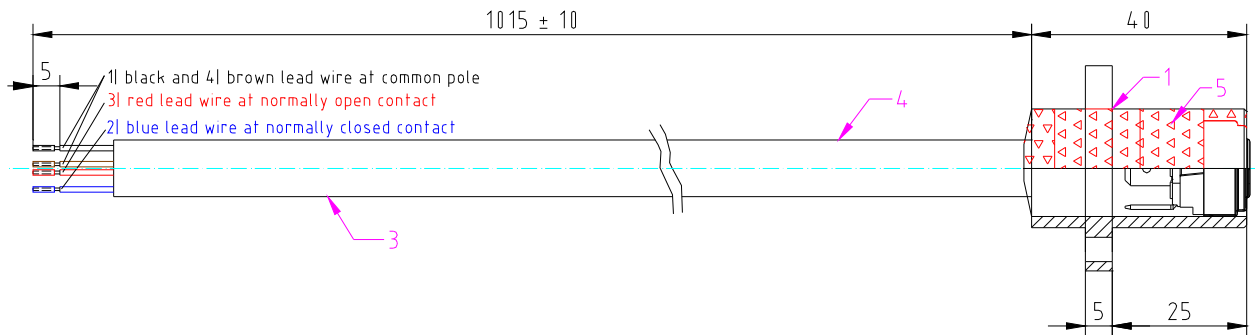
## Special Application

### Fire detection and/or suppression In VEHICLES

CW302-160-10-1000\_4C

Change-over contact (SPDT)  
160+-10 °C; 1cw30216010b+...  
fixing by screws M4

Drw.-no. 100602-160(01)



**Manfred K. Müller Eng.**  
Temperature Control  
Mannheimer Str. 12  
75179 Pforzheim  
Germany  
[www.thermostat-muller.biz](http://www.thermostat-muller.biz)

Phone: + 49 - 7231 1583- 0  
Sales: + 49 - 7231 1583-12  
Techn. ass.: + 49 - 7231 1583-11  
Fax: + 49 - 7231 1583-20  
Mobile: + 49 - 174 247 3690  
e-mail: [info@thermostat-muller.biz](mailto:info@thermostat-muller.biz)

Bank: Sparkasse Pforzheim-Carl  
BLZ: 666 500 85 Kto-Nr: 745 965  
IBAN DE90 6665 0085 0000 7659 45  
BIC (SWIFT-CODE) PZHSDE66  
Registered HRA Mannheim 503251  
VAT-ID-No.: DE 144 137 729