

Type designation of ½“-type Thermostats

Ratings: 250 V AC / 50 Hz / (10 (1.6) A; 100.000 cycles / 16 (6) A; 10.000 cycles)

Approvals: according DIN VDE 0631/12.83; UL up to max. 180 °C on special request

1.+2. Item-no. = configuration	KO = NC normally closed KS = NO normally open KB = manual reset
3. Item-no. = terminals	1 = Faston 6,3 horizontal 3 = Faston 6,3 vertical A = solder terminal S = solder pin
4. Item-no. = brackets and studs	0 = Aluminium cap 1 new (R) = Aluminium cap, movable bracket 4 = M4x6 stud, MS cap 5 = M5x6 stud, MS cap 9 = Aluminium cap, non movable bracket D = HEX17/M4x6 stud, MS cap
5. Item-no. = cap	0 = closed cap 1 = open cap
6.7.+8. Item-no. = temperature	100 (100 °C)
9.+10. Item-no. = tolerance	05 (±5 °C)
11. Item-no. = differential (obtained on the deepest possible switching temperature)	A = diff. < 15k B = on request C = diff. < 40k D = 25k < diff. < 40k
(12. Item-no. = for our use: supplier)	

Sample: KO 310 120 05 A
NC normally closed - Faston 6,3 vertical, movable bracket
120 °C ± 5 °C, diff. <15k



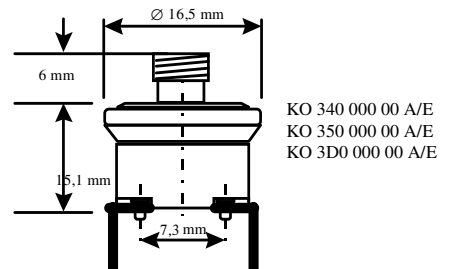
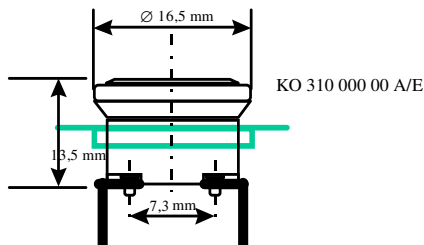
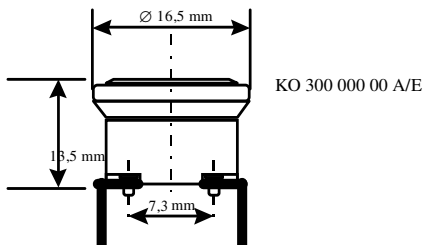
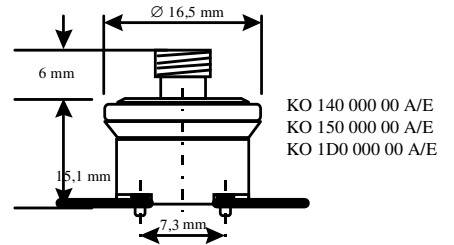
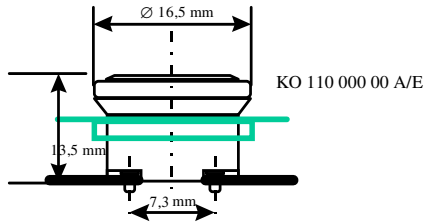
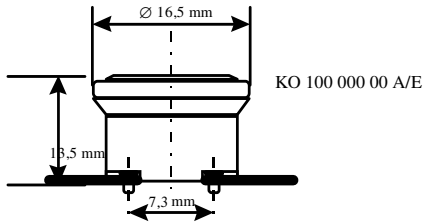
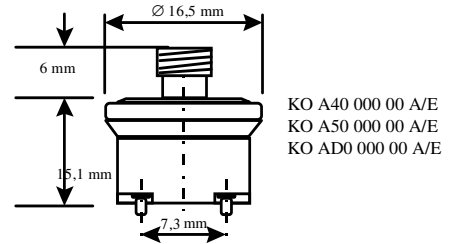
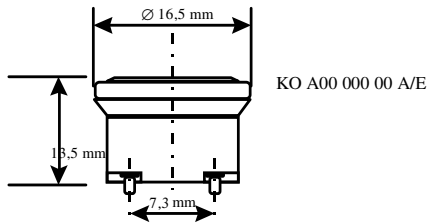
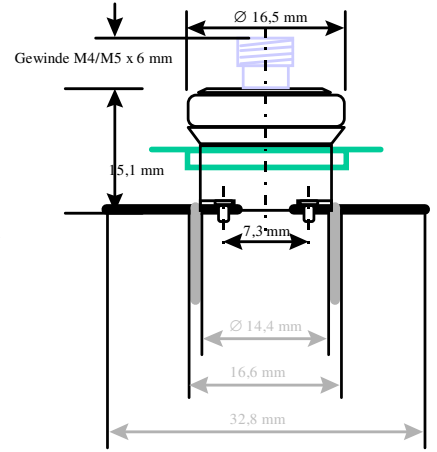
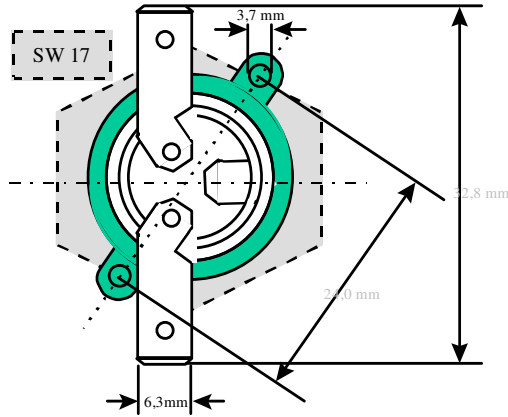
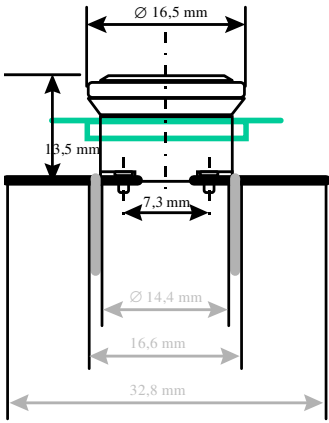
Manfred K. Mueller Eng.
Temperature Control
Mannheimer Strasse 12
75179 Pforzheim
Germany
www.thermostat-muller.biz

Phone: + 49 - 7231 1583- 0
Sales office: + 49 - 7231 1583-11
Machinery: + 49 - 7231 1583-12
Fax: + 49 - 7231 1583-20
e-mail: info@thermostat-muller.biz

Bank: Deutsche Bank 24 Pforzheim
BLZ: 666 700 24 Kto-Nr: 12 8561
IBAN: DE52 6667 0024 0012 8561 00
BIC (SWIFT-CODE) DEUTDEDB 666
HRA Mannheim 503251
VAT-ID-Nr.: DE 144 137 729

1/2" - Thermostat

KO _____ / -
KS _____



Manfred K. Mueller Eng.
Temperature Control
Mannheimer Strasse 12
75179 Pforzheim
Germany
www.thermostat-muller.biz

Phone: + 49 - 7231 1583- 0
Sales office: + 49 - 7231 1583-11
Machinery: + 49 - 7231 1583-12
Fax: + 49 - 7231 1583-20
e-mail: info@thermostat-muller.biz

Bank: Deutsche Bank 24 Pforzheim
BLZ: 666 700 24 Kto-Nr: 12 8561
IBAN: DE52 6667 0024 0012 8561 00
BIC (SWIFT-CODE) DEUTDEDB 666
HRA Mannheim 503251
VAT-ID-Nr.: DE 144 137 729